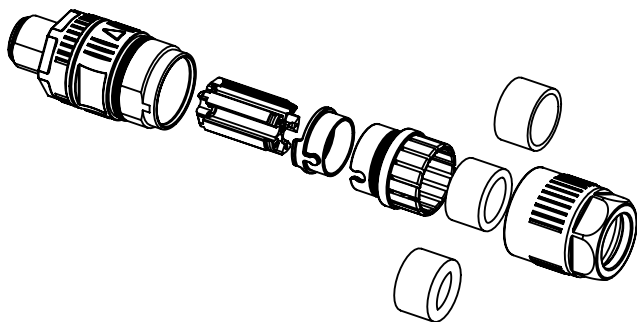


order contacts separately

cable $\varnothing$	wire gauge	part number	
		4 x male contact	1 x female contact (PE)
6.6 - 11.6mm	2.5mm <sup>2</sup> / AWG14	21 01 100 9938	21 01 100 9940
	1.5mm <sup>2</sup> / AWG16	21 01 100 9937	21 01 100 9939
	0.75mm <sup>2</sup> / AWG19	21 01 100 9963	21 01 100 9965
	0.5mm <sup>2</sup> / AWG20	21 01 100 9962	21 01 100 9964



	All Dimensions in mm Original Size DIN A4	Scale 1:1	Free size tol.	Ref.	
	All rights reserved Department EL PD	Created by HASSE	Inspected by FRIESENH	Standardisation	Date 2021-09-10
HARTING D-32339 Espelkamp		Title M12-P-CC-CRIMP-5P-KCOD-M-STR-SHLD			State Final Release
		Type TB	Number 21038961515	Doc-Key / ECM-Nr. 100765365/UGD/001/C 500000202406	Rev. <b>C</b> Page 1/1